

# WZC100D

## Semi-auto Sausage Tying Machine

电动半自动香肠线扎机是威尔美尼于2011年推出的一款小型香肠线扎机，该机针对门市部、实验室、高校酒店以及一些前店后厂的加工模式具有很好的效果。该机的主要特点如下：

- 1、机器采用完全自主研发的微电脑控制技术，动作曲线平滑柔顺，最大化降低撞击产生的影响；
- 2、机器重量轻、体积小、噪音低，非常适合非工厂的工作环境；
- 3、在生产过程中，机器注重对操作员工的安全防护，将人身安全放在了第一位；
- 4、可节约肠衣10~20%，视产品规格，每吨产品可节约肠衣200~800元。

As a small product of Well Mini in 2011, this machine is especially applicable to the salesrooms, laboratories, colleges, hotels and so on.

This machine uses the microcomputer control technique which research and development independently. It works smoothly and fluently.

The tying machine is light in weight, small in size and low in noise. It is suitable for the working conditions which were not in the factory. We paid much attention to the safety of the operator. During operating the machine, we can see that the personal safety was put to the first place.

10~20% of the casings can be saved. The cost of casings for each ton of the products can be reduced by RMB 200~800 yuan, varied with the specifications of the products.



“Plug and Play”

 隆泰机械  
LungTai Machinery



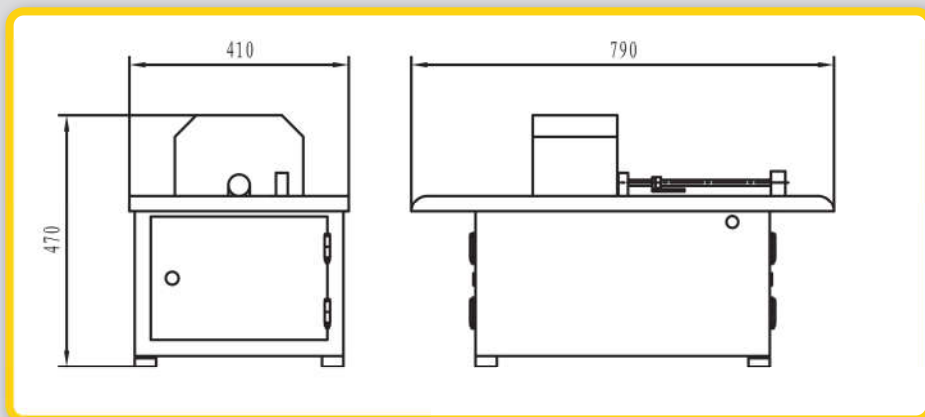
**隆泰机械**  
LungTai Machinery

## PARAMETERS:

MODEL:	WZC100D
WEIGHT:	49KG
VOLTAGE:	220V
CAPCITY:	100 portions/min
LENGTH:	30mm-220mm
DIAMETER:	Φ8mm-Φ43mm



## VIDEO INTRO:



EMAIL: [sales@lungtai.com](mailto:sales@lungtai.com)  
WEB: <http://www.wellermini.com>

TEL: +86 573-82725258; 82725256  
FAX: +86 573-82725257