

WZC200DIII

Dual-Automatic Sausage Tying Machine

为迎合市场需求，威尔美尼于2013年再次推出新品——WZC200D III 型双工位香肠线扎机。

这是一款真正的可用于高速生产的机器。整机的重量达到了345公斤，1.5米*0.75米的宽大机身给机器提供了极其优良的抓地能力，在1000个/分钟的速度下，运行时几乎没有震动。整机全部采用优质不锈钢制作；全进口伺服，全密封电箱再加上优良的通风设计让整机的使用寿命得到了极大的保障。

基于对设备质量的信心，我们为该款机型提供国内少有的2年的无条件保修。

To meet the demand of the market, Wellermini launched a new two-line sausage tying machine—WZC-200DIII.

This is a machine that can be used to produce sausage at a high speed. With the weight of 345 kilos, the length of 1.5 meters and the width of 0.75 meters, the machine has a good grip. Working at the speed of 1000 links per minute, the machine hardly shakes. It is made of high-quality stainless steel. And we use imported server in our machine. The imported server, airproof electrical box and good ventilation design ensure a long life of the machine.

With a confidence in our machine, we provide 2-year unconditional free maintenance, which is very rare in China.

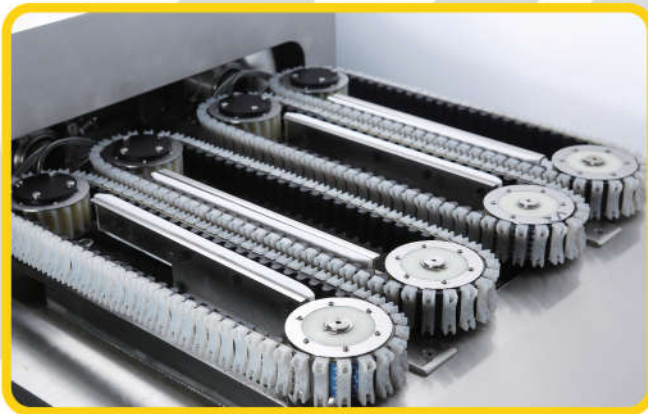


The Fastest Sausage Tying Machine

 隆泰机械
LungTai Machinery



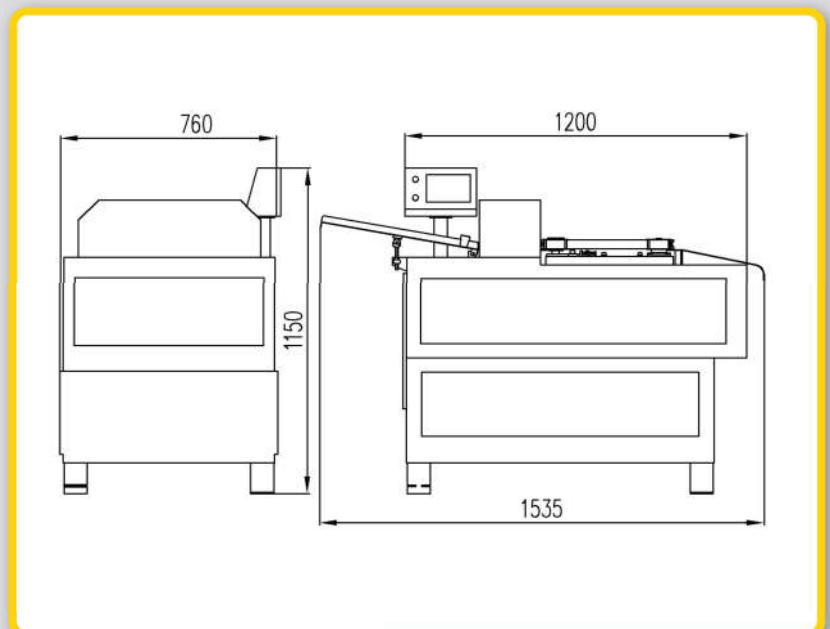
隆泰机械
LungTai Machinery



PARAMETERS:

MODEL:	WZC-200DIII
WEIGHT:	345KG
POWER:	5.7KW 3phrases
VOLTAGE:	380V
CAPCITY:	800 portions/min
LENGTH:	any length
DIAMETER:	Φ8mm-Φ32mm

VIDEO INTRO:



EMAIL: anglwhf@vip.163.com
WEB: <http://www.wellermini.com>

TEL: +86 573-82725258; 82725256
FAX: +86 573-82725257